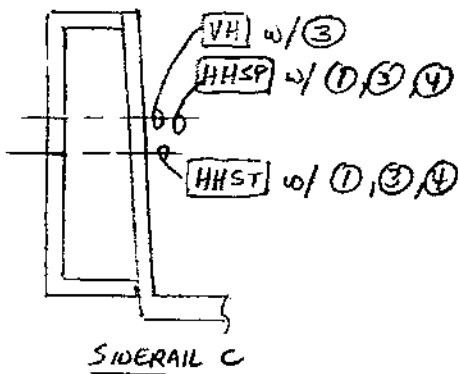
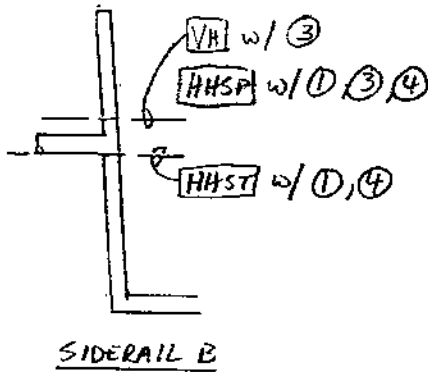
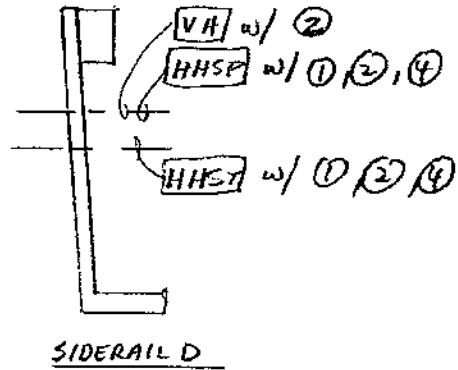
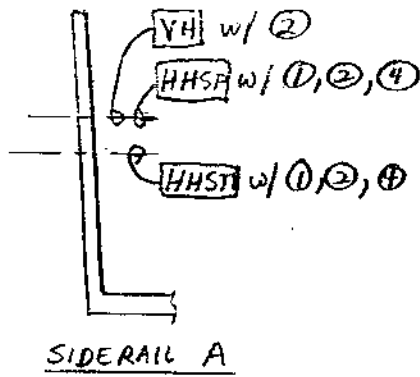


VH = VECTOR CONNECTOR w/ VERTICAL HOLES **HHST** = VECTOR CONNECTOR w/ STD HORIZ. HOLES
HHSP = VECTOR CONNECTOR w/ SPECIAL HORIZ HOLES



NOTES:

- 1 - USING ① OR ④ MAY REQUIRE TIEING LEGS OF VC TO MESH FOR STABILITY
- 2 - CAN PUT CHAIR UNDER VC LEG FOR STABILITY
- 3 - USING ⑤ AND ⑥ REQUIRES NO HOLES.
⑥ CAN CAUSE ALIGNMENT AND O.C. PROBLEMS

① = PLASTIC WEDGE BOLT

④ = RIVOT

② = BOLT w/ WING NUT

⑤ HOT GLUE, NO HOLES REQ'D

③ = LONG BOLT w/ WING NUT

⑥ DUCT TAPE VC TO BLOCKOUT AND WET C&S? INSTALL, NO HOLES REQ'D



7550 North Linder Avenue
 Skokie, Illinois 60077 USA
 847/675-1560 • Fax 847/675-0083 • 1-800-742-8127
 E-mail: jvi@enteract.com • <http://www.enteract.com/~jvi>

VECTOR CONNECTOR
 ATTACHMENT OPTIONS FOR
 VARIOUS SIDERAILS

DRAWN DSJ

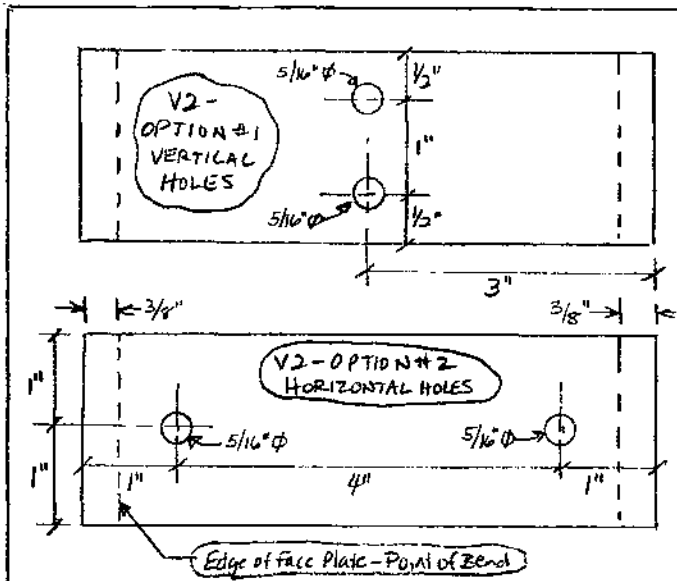
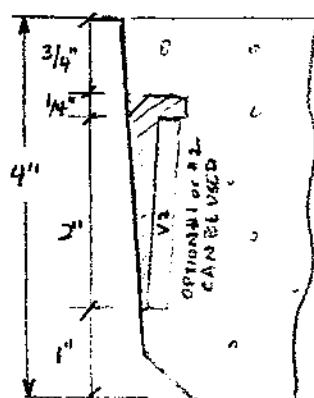
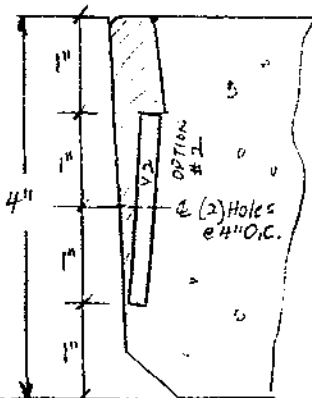
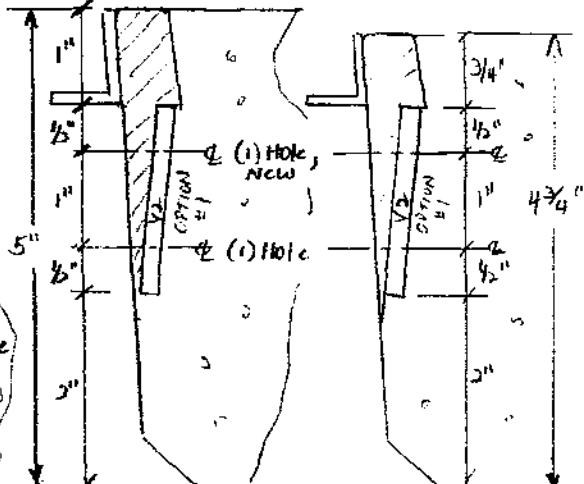
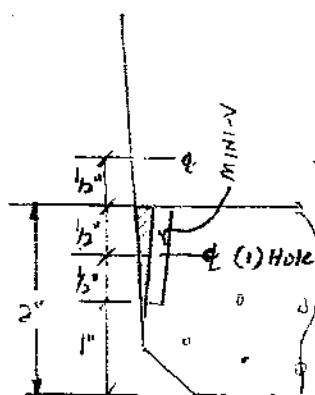
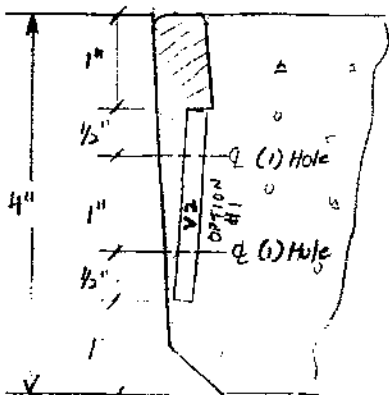
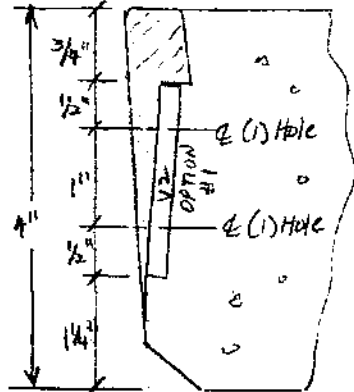
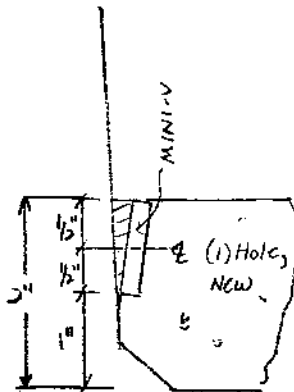
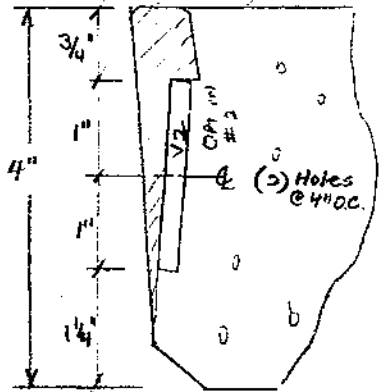
CHECKED _____

SCALE NTS

DATE 12/27/02

SHEET 1 OF 1

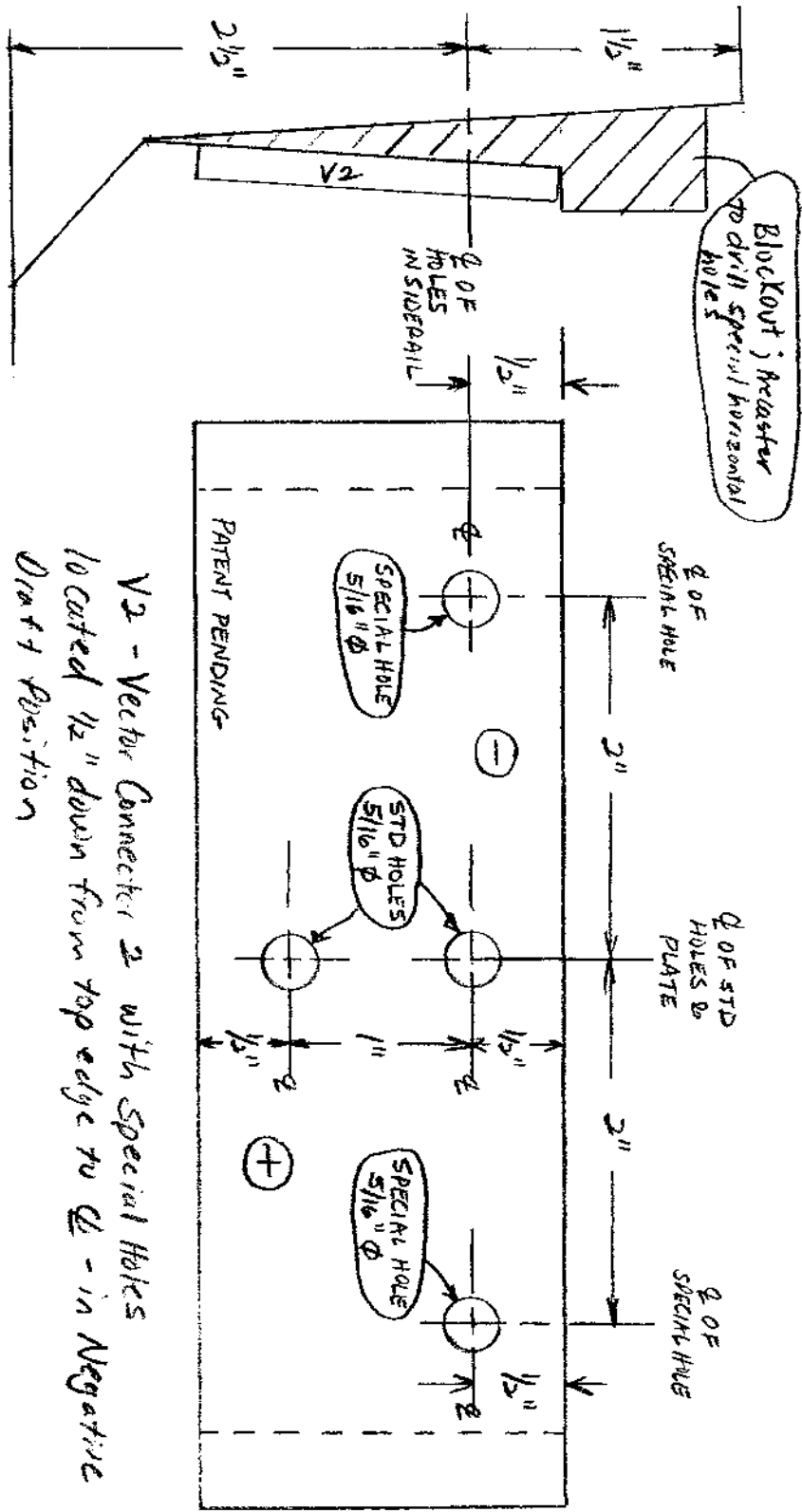
DWG. NO.



7550 North Linder Avenue
 Skokie, Illinois 60077 USA
 847/675-1560 • Fax 847/675-0083 • 1-800-742-8127
 E-mail: jvi-inc.com • http://www.jvi-inc.com

VECTOR CONNECTION 2
 PLACEMENT OPTIONS OUTSIDE RAIL

DRAWN D.S.T	CHECKED	SCALE 1" = 1/2"	DATE 7/30/02	SHEET 1 of 1	DWG. NO.
----------------	---------	--------------------	-----------------	-----------------	----------



V2 - Vector Connector 2 with Special Holes
 located 1/2" down from top edge to Q - in Negative
 Draft Position



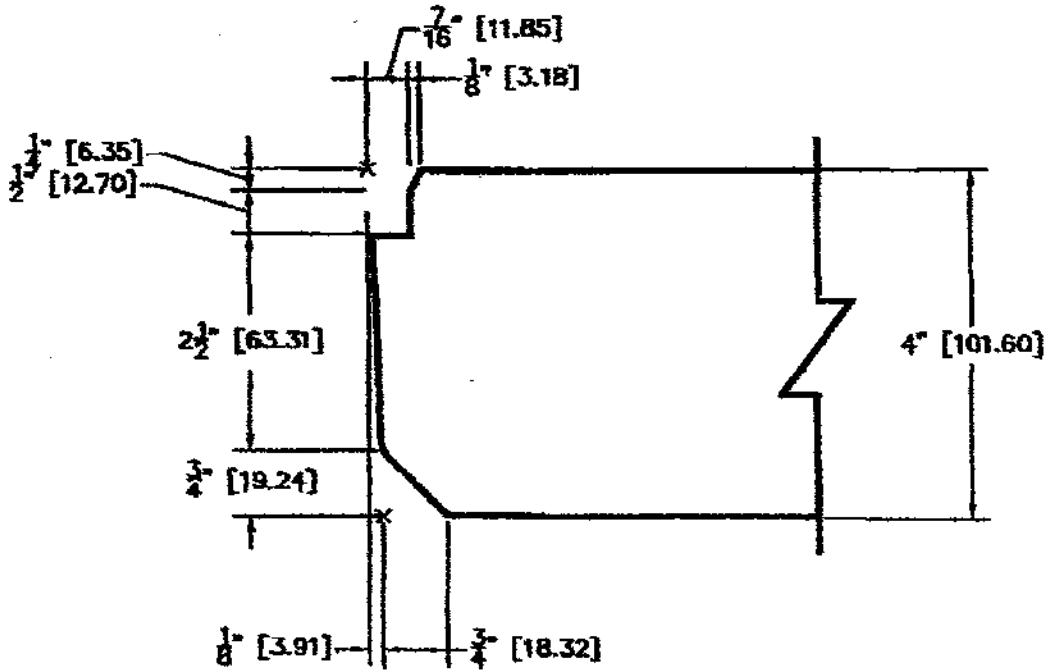
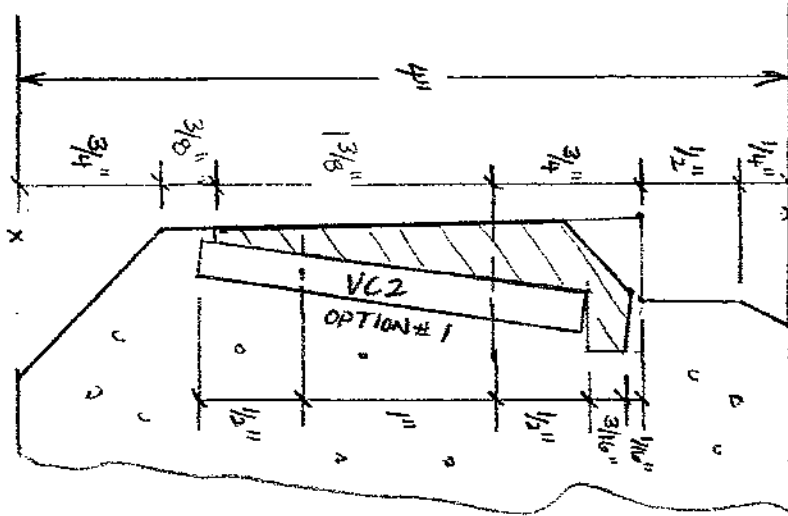
7550 North Linder Avenue
 Skokie, Illinois 60077 USA
 847/675-1560 • Fax 847/675-0083 • 1-800-742-8127
 E-mail: jvi-inc.com • http://www.jvi-inc.com

Special Vector Connector
 V2 WITH SPECIAL HOLES

DRAWN DSJ	CHECKED	SCALE 1 = 1	DATE 7/23/02	SHEET 1 of 1	DWG. NO.
--------------	---------	----------------	-----------------	-----------------	----------

SCALE: 1"=1"

V2-1/4" LEDGE



7550 North Linder Avenue
 Skokie, Illinois 60077 USA
 847/675-1560 • Fax 847/675-0083 • 1-800-742-8127
 E-mail: jvi-inc.com • <http://www.jvi-inc.com>

VECTOR CONNECTOR 2 LAYOUT
 FOR CONTINUOUS LEDGE SIDERAIL

DRAWN
 DSJ

CHECKED

SCALE

DATE 7/11/02

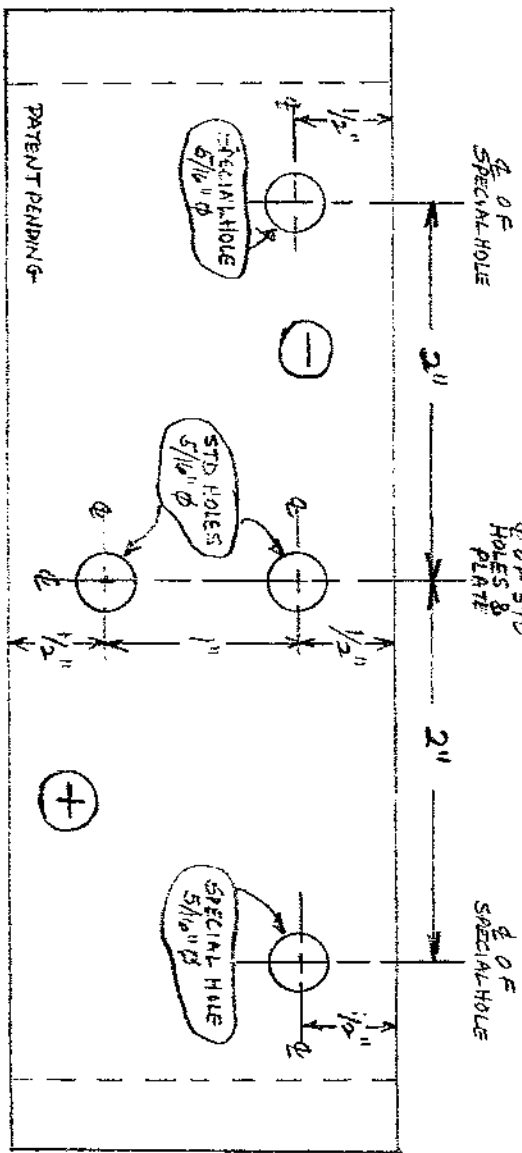
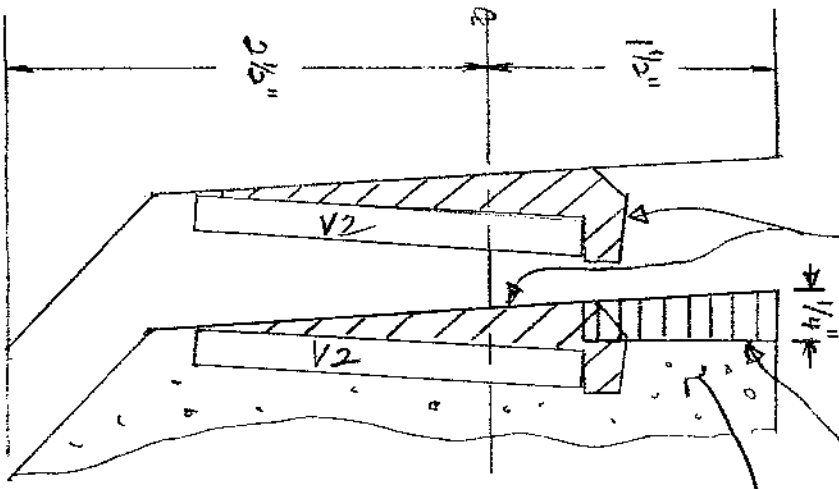
SHEET 1 OF 1

DWG. NO.

V2 BLOCKOUT "V2-025L-80" S
Precaster
TO DRILL SPECIAL HORIZONTAL
HOLES TO MATCH SPECIAL HOLES IN V2

Precast TO HAND TOOL CONTINUOUS
LEDGE DOWN LENGTH OF TEE
FLANGE. LEDGE = 1/4" WIDE X
1" DEEP.

THIS METHOD CREATES 1/4" WIDE X 3/4" DEEP CONCRETE
OVERHANG ABOVE VECTOR CONNECTOR. Precaster to load
OVERHANG TO VERIFY NO CRACKS OCCUR.



V2 - VECTOR CONNECTOR 2 WITH SPECIAL HOLES
LOCATED 1/2" DOWN FROM TOP EDGE TO Q - CAST
IN NEGATIVE DRAFT POSITION

V2 BLOCKOUT ON
SIDE RAIL BEFORE
CONCRETE HAS BEEN
FOURED

SOE VIEW OF TEE
FLANGE AFTER CONCRETE
HAS CURED. SHOWS LOCATION
OF V2, SPECIAL HOLES,
TOP BLOCKOUT, AND HAND
TOOLED LEDGE OPENING

NOTE: - SPECIAL V2 IS A SECONDARY PUNCH,
USE V2 W/ VERTICAL HOLES AND THEN
PUNCH SPECIAL HORIZONTAL HOLES ON
SPECIAL DIG.

- SPECIAL PUNCHING OPERATION CREATES LONGER
LEAD TIMES FOR DELIVERY AND A \$0.22
PER V2 ADDITIONAL CHARGE

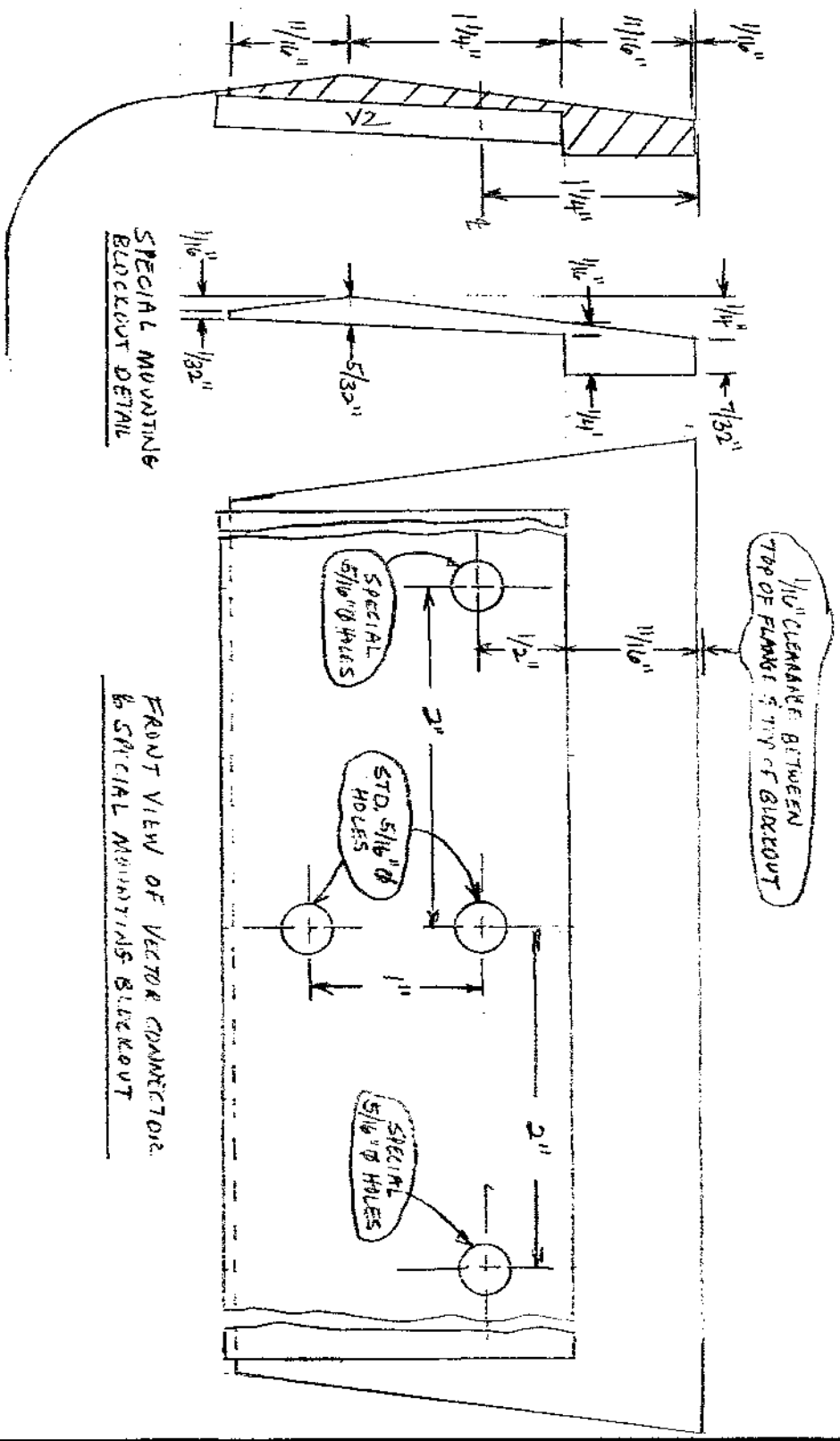


7550 North Linder Avenue
Skokie, Illinois 60077 USA
847/675-1560 • Fax 847/675-0983 • 1-800-742-8127
E-mail: jvi-inc.com • http://www.jvi-inc.com

Vector Connector
V2 WITH SPECIAL HOLES
For Hand tooled Continuous Ledge

DRAWN DST	CHECKED	SCALE 1 = 1	DATE 10/26/02	SHEET 1 OF 1	DWG. NO.
--------------	---------	----------------	------------------	-----------------	----------

SIDERAIL w/
BLOCKOUT AND
VECTOR CONNECTOR



SPECIAL MOUNTING
BLOCKOUT DETAIL

FRONT VIEW OF VECTOR CONNECTOR
& SPECIAL MOUNTING BLOCKOUT



7550 North Linder Avenue
Skokie, Illinois 60077 USA
847/675-1560 • Fax 847/675-0083 • 1-800-742-8127
E-mail: jvi@enteract.com • http://www.enteract.com/~jvi

Vector Connector
SPECIAL MOUNTING BLOCKOUT
For Odd Shaped Side Rail

DRAWN
DSJ

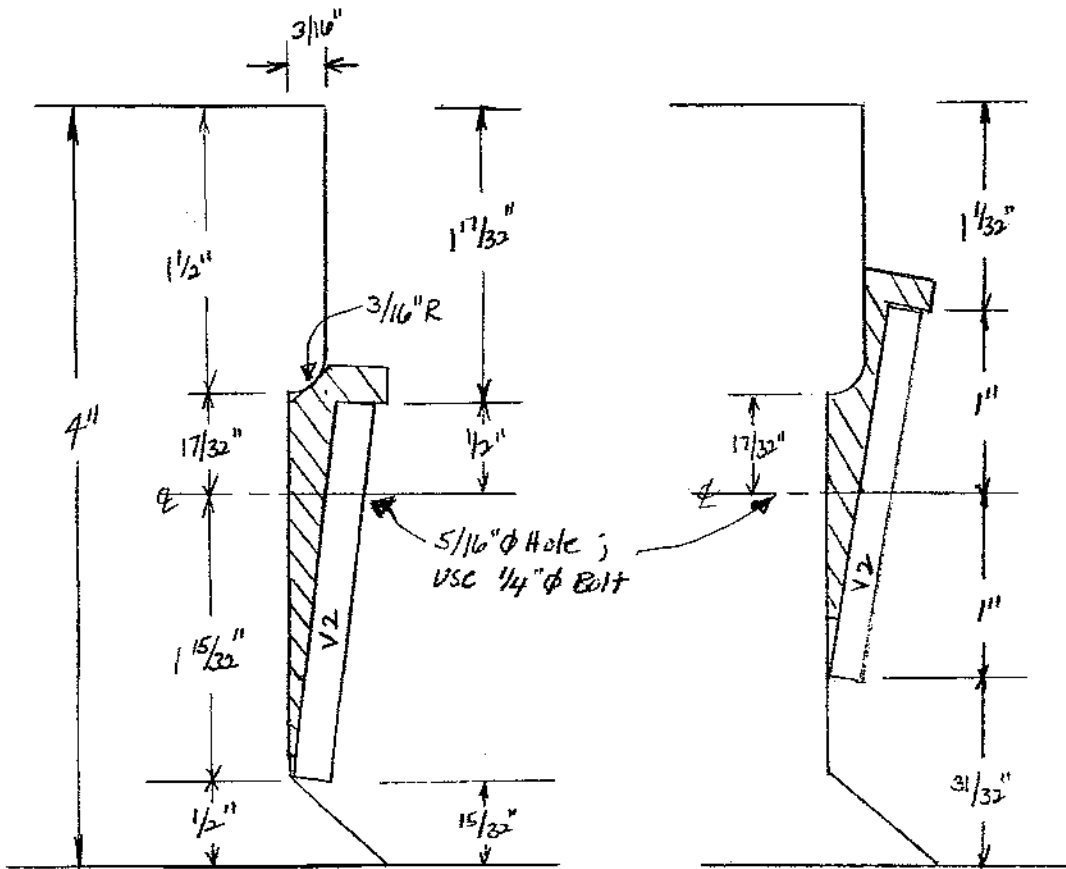
CHECKED

SCALE
1 = 1

DATE
11/18/02

SHEET
1 OF 1

DWG. NO.



SIDERAIL KEYWAY DETAIL	= NO CHANGE	NO CHANGE
HOLE LOCATION IN SIDERAIL	= NO CHANGE	NO CHANGE
V2 HOLE TYPE / LOCATION	= STD - 1/2" FROM TOP	SPECIAL - 1" FROM TOP
BLOCKOUT BY	= JVI OR OTHER	OTHER
V2 MINIMUM CONCRETE COVER	= 15/32"	3/32"
VERTICAL LOAD TESTING	= SPECIAL TESTS MAY BE REQUIRED	USE JVI RESULTS

OPTION #1

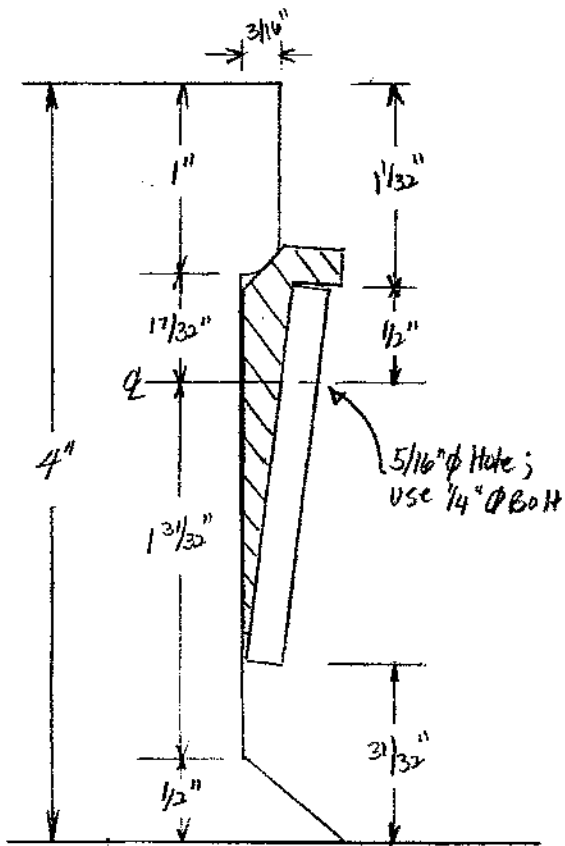
OPTION #2



7550 North Linder Avenue
 Skokie, Illinois 60077 USA
 847/675-1560 • Fax 847/675-0083 • 1-800-742-8127
 E-mail: jvi-inc.com • http://www.jvi-inc.com

VECTOR CONNECTOR 2 OPTIONS
 FOR 4" FLANGE DOUBLE-TEE

DRAWN OSJ	CHECKED	SCALE 1 = 1	DATE 7/16/02	SHEET 1 OF 2	DWG. NO.
--------------	---------	----------------	-----------------	-----------------	----------



SIDERAIL KEYWAY DETAIL = CHANGE

HOLE LOCATION IN SIDERAIL = CHANGE

V2 HOLE TYPE/LOCATION = STD - 1/2" FROM TOP

BLOCKOUT BY = JVI OR OTHER

V2 MINIMUM CONCRETE COVER = 3 1/32"

VERTICAL LOAD TESTING = USE JVI RESULTS

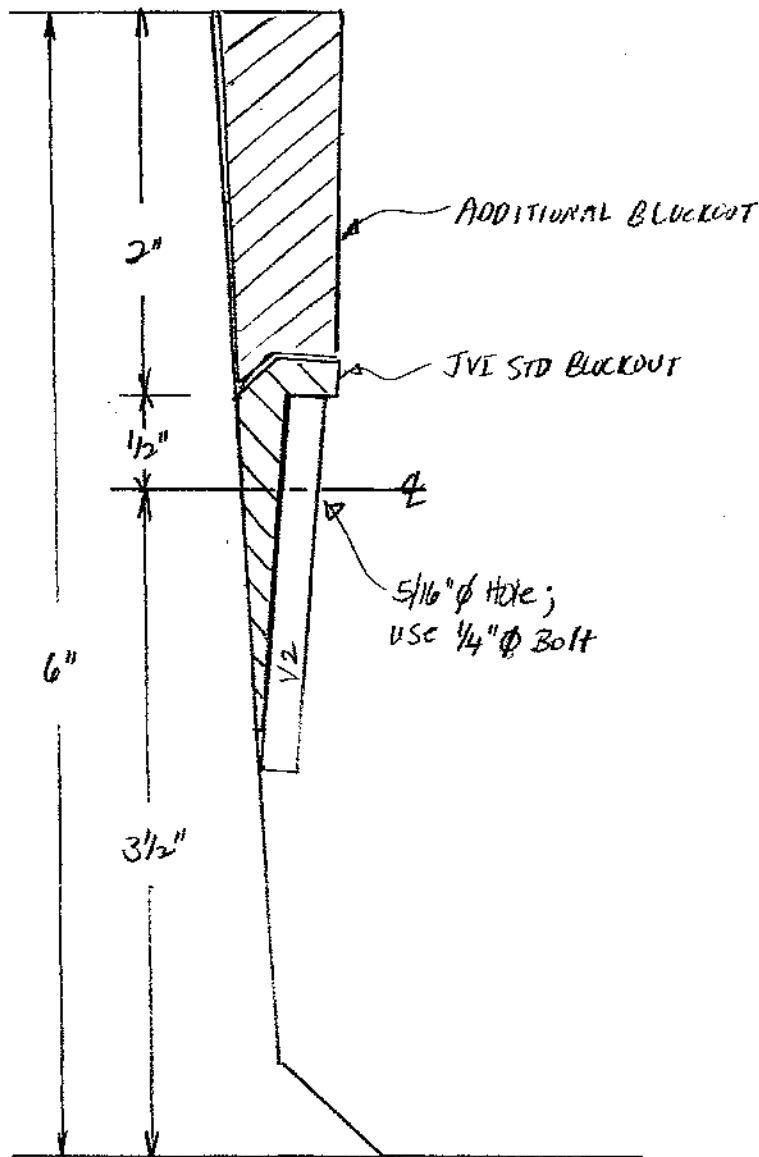
OPTION #3



7550 North Linder Avenue
 Skokie, Illinois 60077 USA
 847/675-1560 • Fax 847/675-0083 • 1-800-742-8127
 E-mail: jvi-inc.com • http://www.jvi-inc.com

VECTOR CONNECTOR 2 OPTIONS
 FOR 4" FLANGE DOUBLE-TEE

DRAWN	CHECKED	SCALE	DATE	SHEET	DWG. NO.
OSJ		1=1	7/11/02	2 OF 2	



BOTH BLOCKOUTS OR ANOTHER SYSTEM WILL BE REQUIRED TO ALLOW ENOUGH WORKING ROOM FOR THE WELDING ROD TO REACH THE CONNECTIONS

SIDERAIL DETAIL	= PER PRECASTER
HOLE LOCATION IN SIDERAIL	= SHOWN ABOVE
Y2 HOLE TYPE/LOCATION	= STD - 1/2" FROM TOP
BLOCKOUT BY	= JVI AND OTHER
Y2 MINIMUM CONCRETE COVER	= 2"
VERTICAL LOAD TESTING	= SPECIAL TESTS REQUIRED



7550 North Linder Avenue
 Skokie, Illinois 60077 USA
 847/675-1560 • Fax 847/675-0083 • 1-800-742-8127
 E-mail: jvi-inc.com • http://www.jvi-inc.com

VECTOR CONNECTOR 2
 FOR 6" FLANGE DOUBLE-TEE

DRAWN DSJ	CHECKED	SCALE 1=1	DATE 7/16/02	SHEET 1 OF 1	DWG. NO.
--------------	---------	--------------	-----------------	-----------------	----------