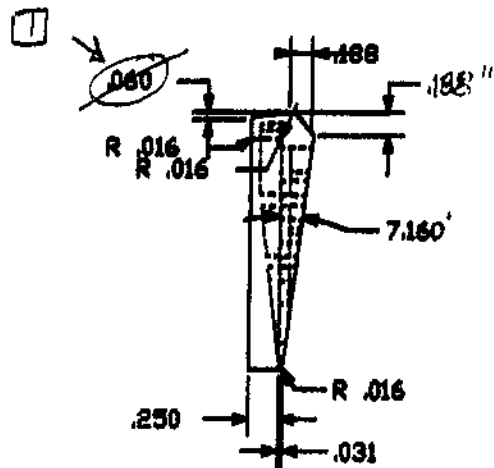
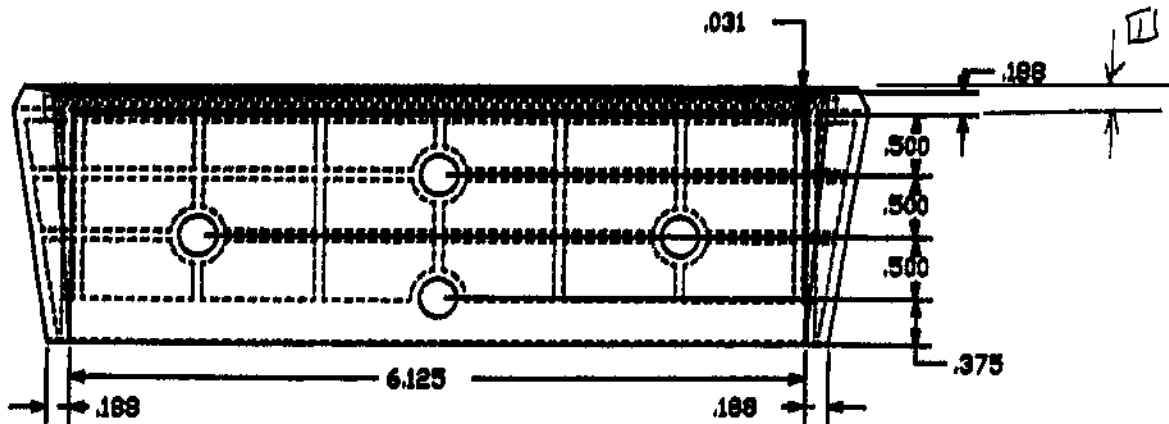
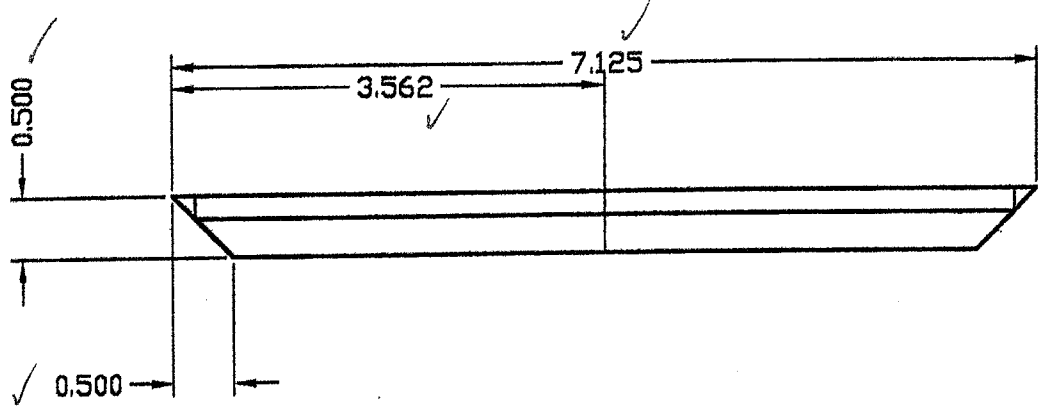


1/4" LEDGE BLOCKOUT
 "VMB025"
 1 OF 2

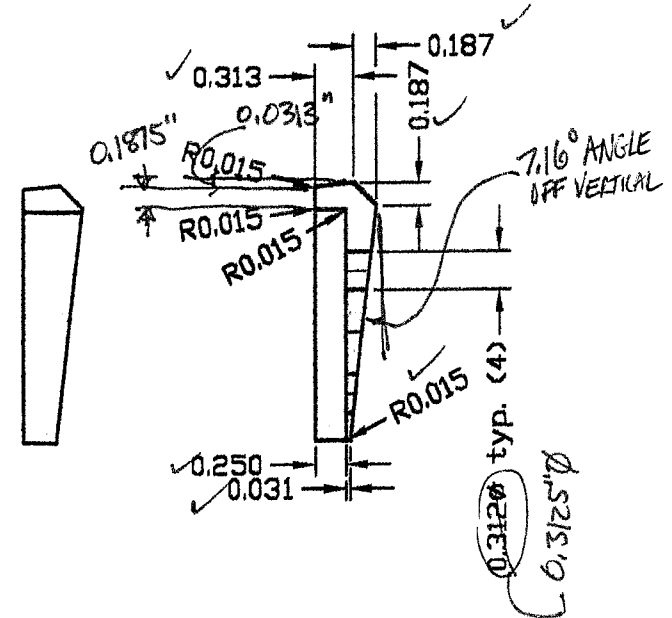
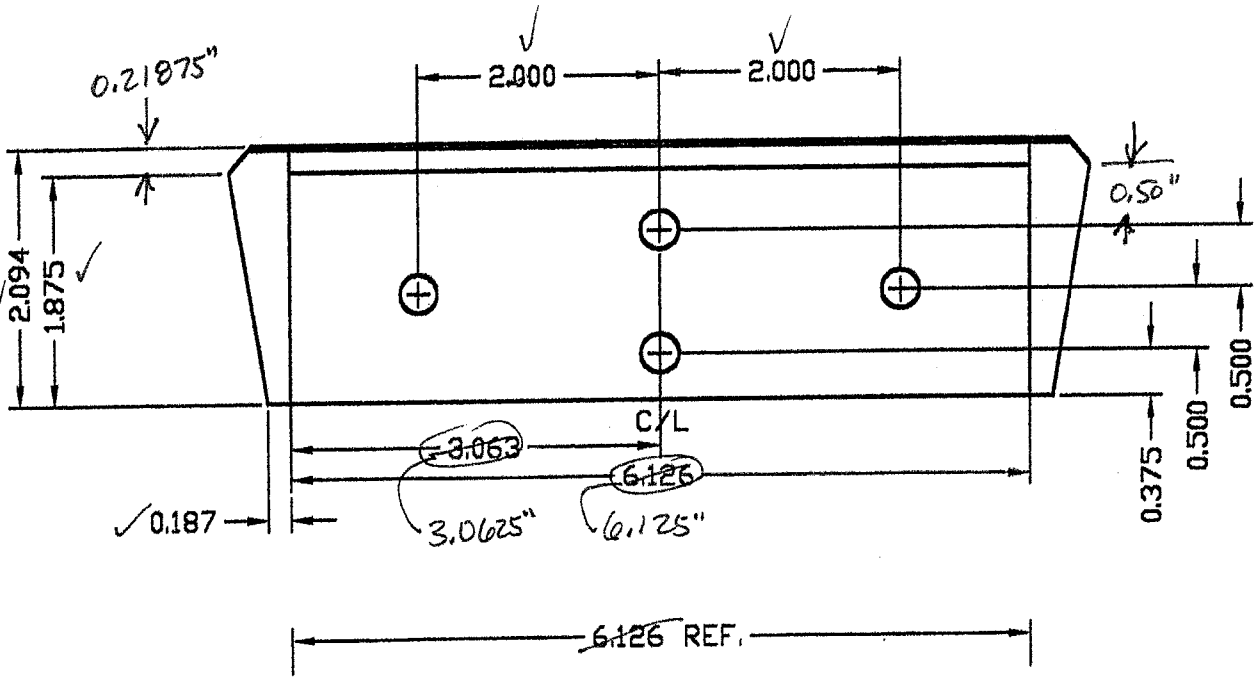


- NOTES:
- 1 - DIMENSIONS ARE WRONG, MATCH APPROVED "DST 7/29/02"
 - 2 - MISSING HOLE DIAMETER, DIMENSIONS, & RADIUS, MATCH APPROVED "DST 7/29/02"
 - 3 - MATCH CURVE OF VECTOR CONNECTOR SIDES - SEE "DST 7/29/02"

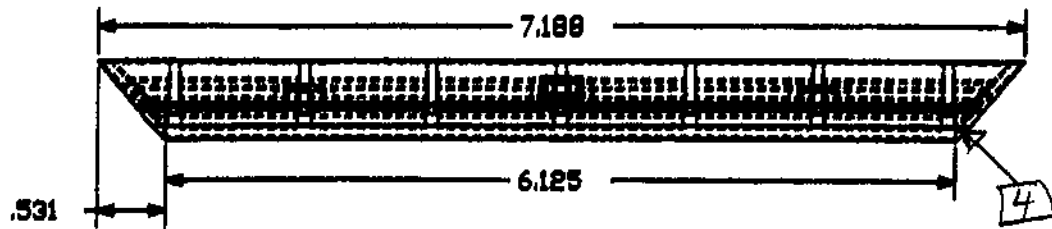
DST 8/15/02



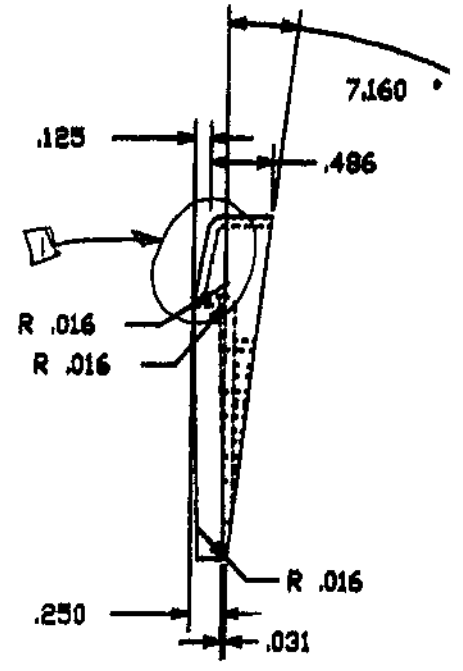
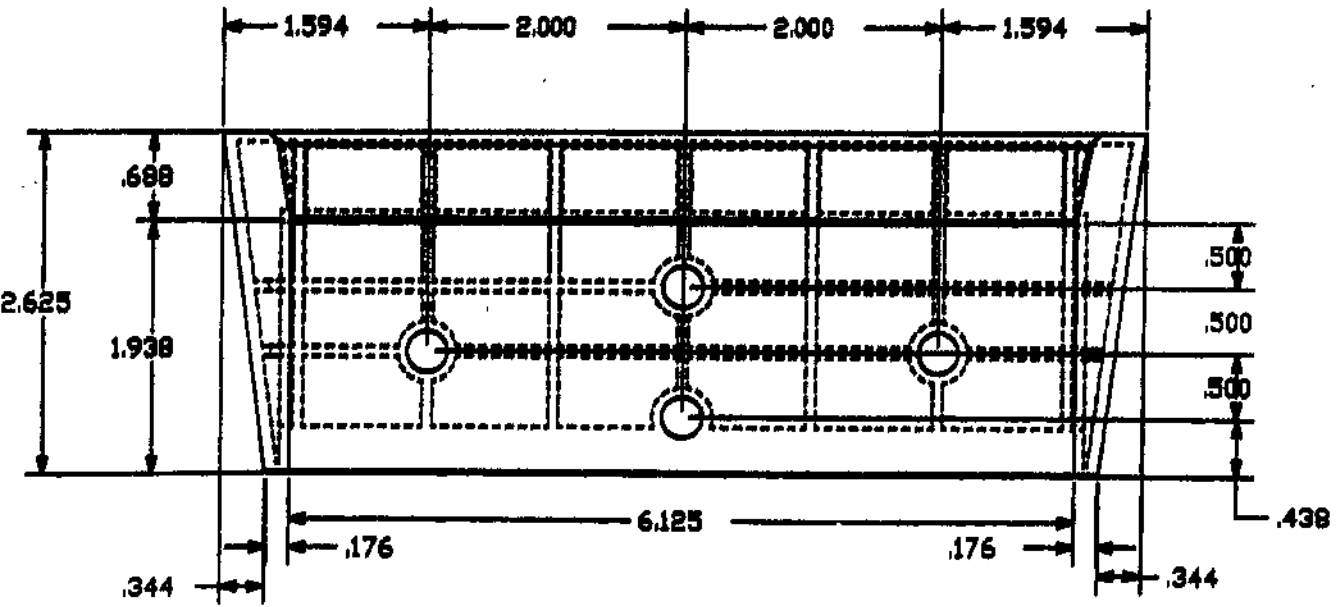
1/4" LEDGE BLOCKOUT
"VMBO25"
2 OF 2



SECTION THRU C/L



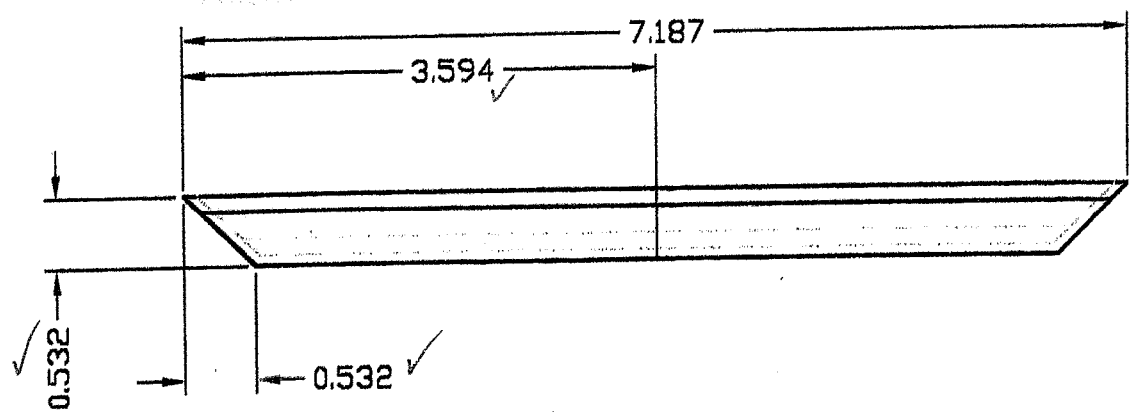
3/4" LEDGE BLOCKOUT
 "VMBO75"
 1 OF 2



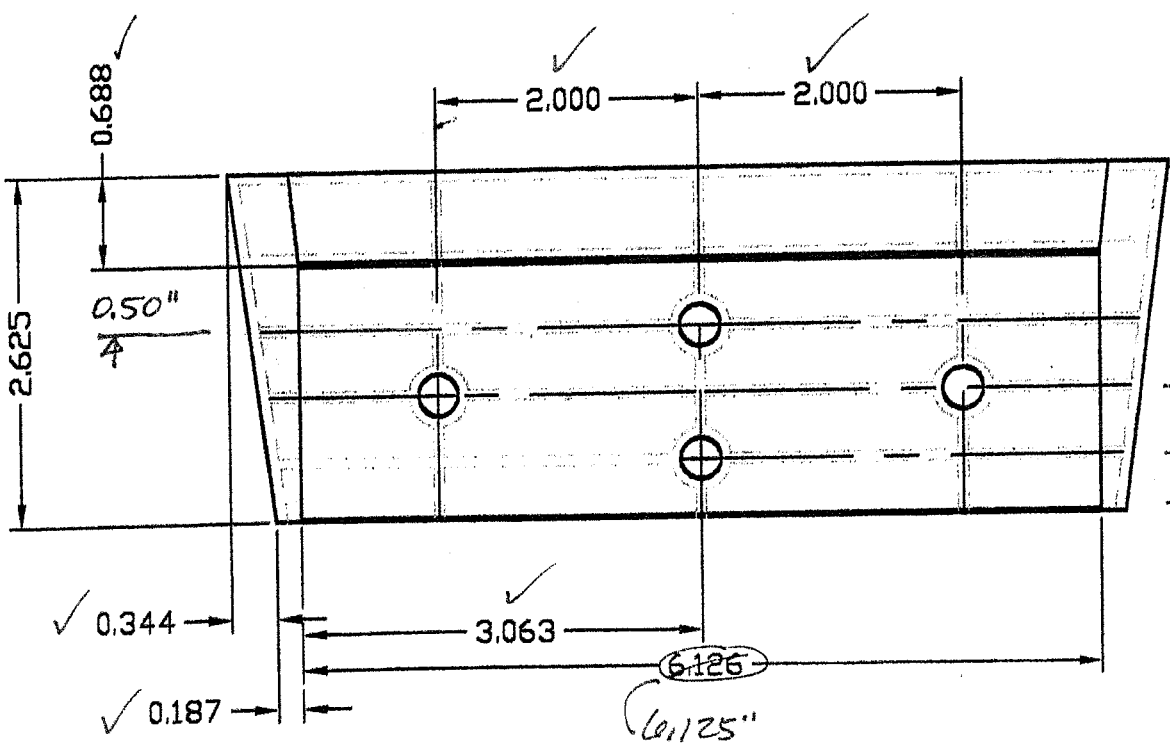
- NOTES:
- 1 - SEE ATTACHED DETAIL FOR CHANGE
 - 2 - HOLE DIAMETERS MISSING, MATCH APPROVED "DST 7/29/02"
 - 3 - RADIUS MISSING, MATCH APPROVED "DST 7/29/02"
 - 4 - MATCH CURVE OF VECTOR CONNECTOR SIDES - SEE "DST 7/29/02"

DST 8/15/02

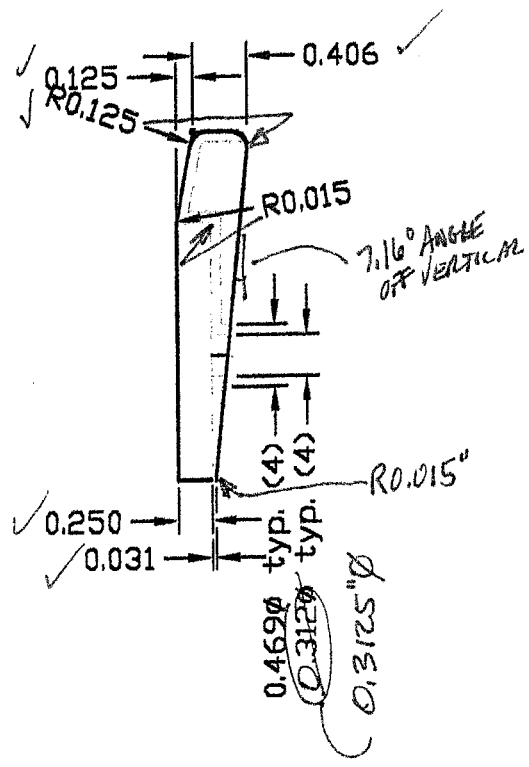
2x ✓



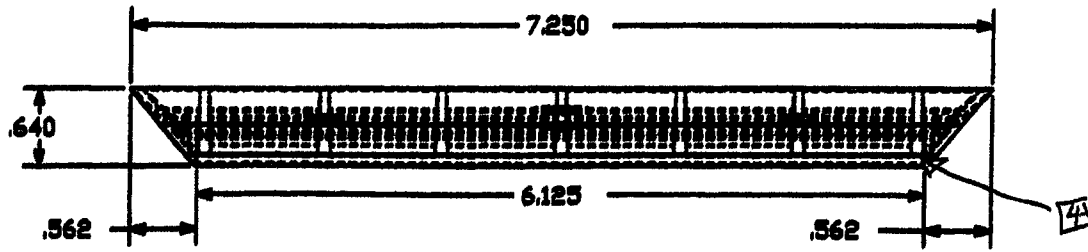
3/4" LEDGE BLOCKOUT
 "VMB075"
 2 OF 2



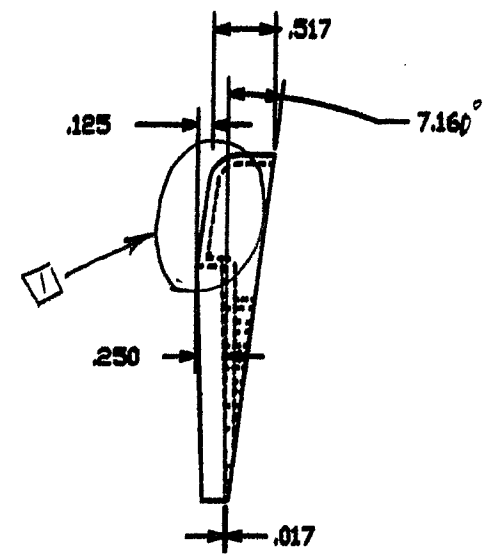
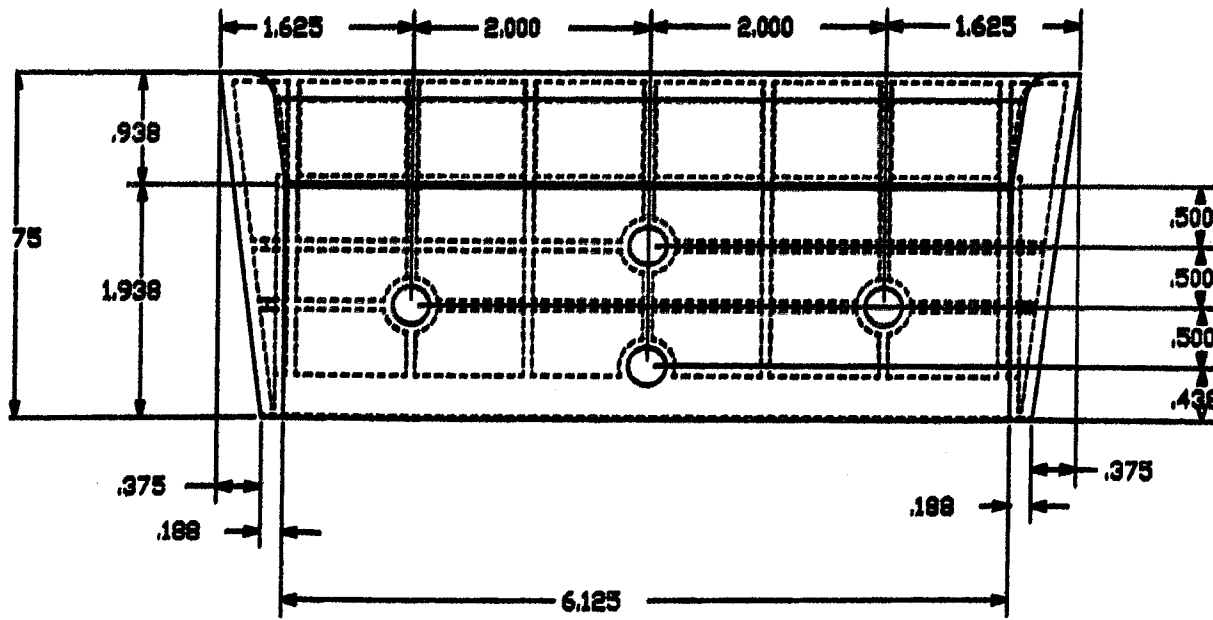
0.50"
 0.50"
 0.50"
 0.4375"



DSS 7/19/02

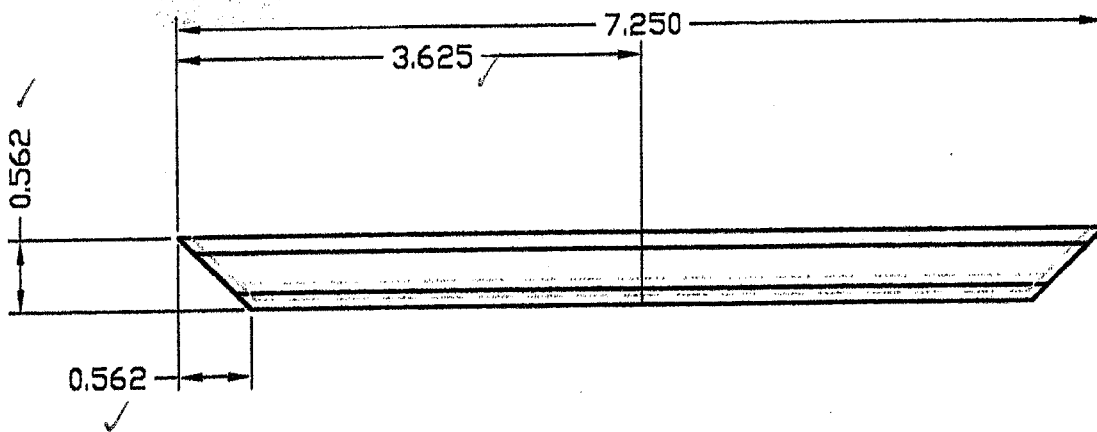


1" LEDGE BLOCKOUT
 "VMB100"
 1 OF 2

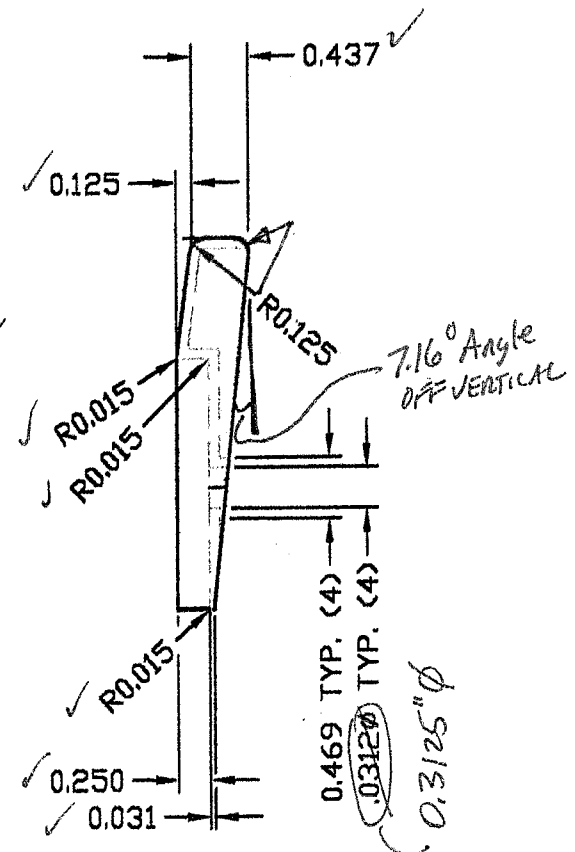
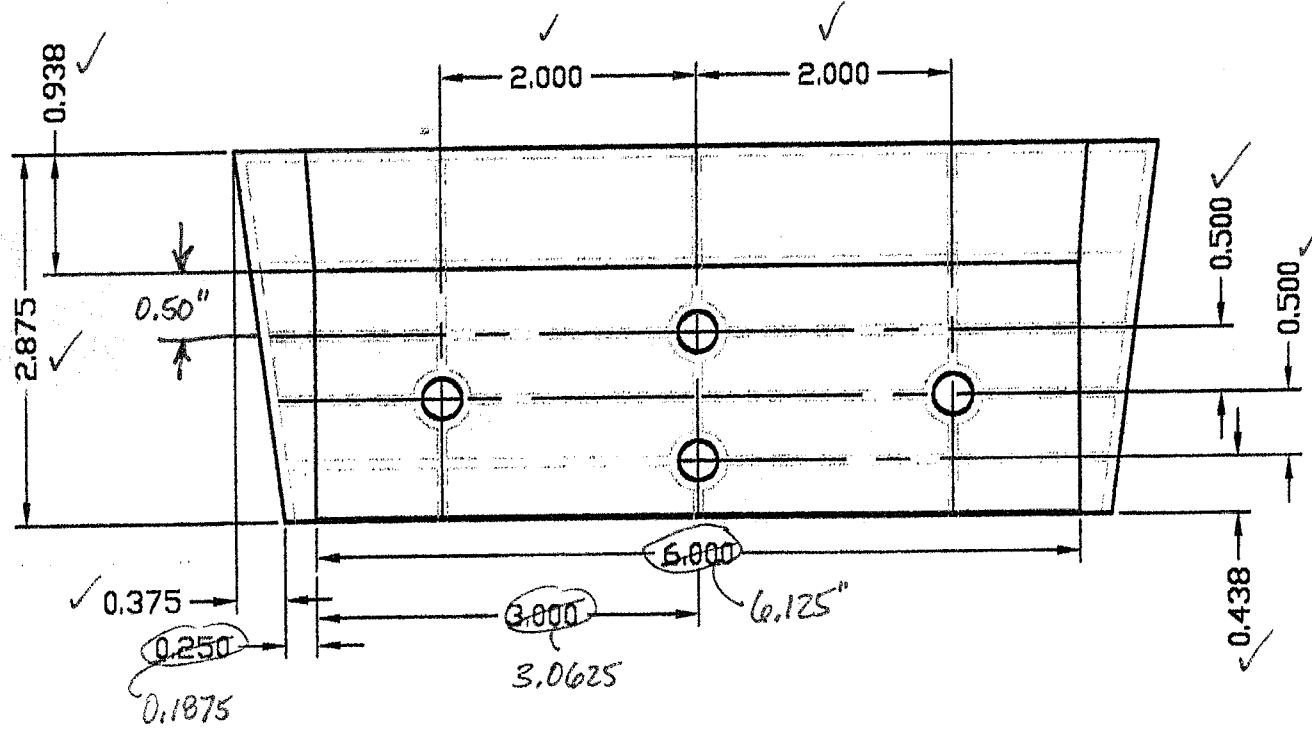


- NOTES: A - SEE ATTACHED DETAIL FOR CHANGE
 2 - HOLE DIAMETERS MISSING, MATCH APPROVED DRAWING "DSJ 7/29/02"
 3 - RADIUS MISSING, MATCH APPROVED DRAWING "DSJ 7/29/02"
B - MATCH CURVE OF VECTOR CONNECTOR SIDES - SEE "DSJ 7/29/02"

DSJ 8/15/02



1" LEDGE BLOCKOUT
"VMB100"
2 OF 2



DSS 7/29/02